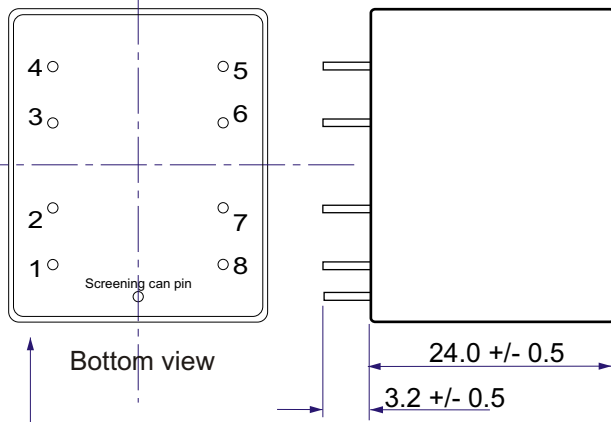
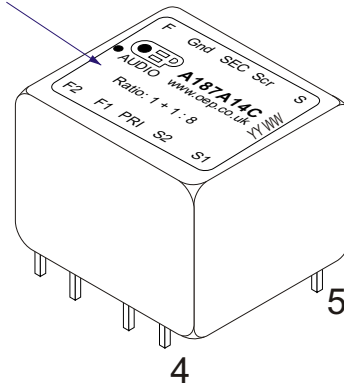
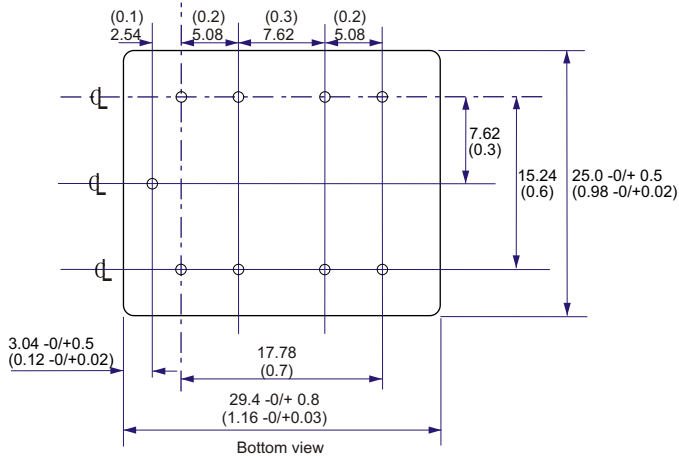
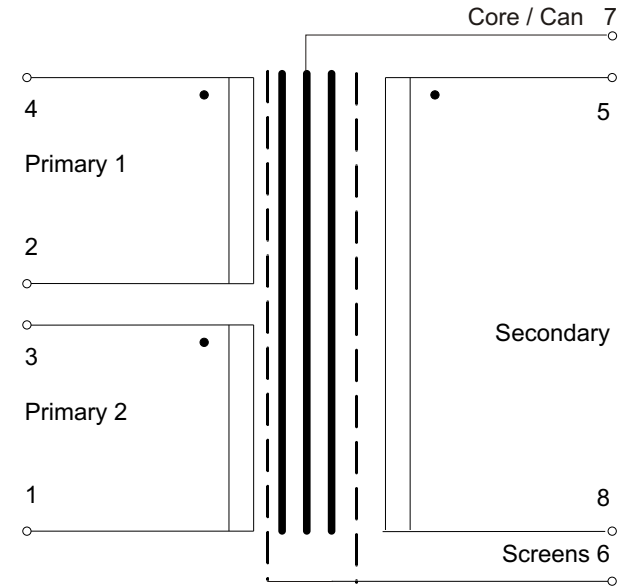




Label fitted to top of can
 YY WW = date code
 where YY=year and WW= week of manufacture)
 Earth pin this side



Enclosure: Mu-metal screening can.



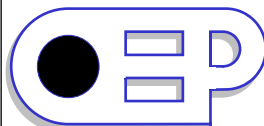
Tolerance on all dimensions in millimetres: +/- 0.1mm unless stated otherwise.
 Inches shown in brackets.
 Tolerance on dimensions in inches: +/- 0.005" unless stated otherwise.
 Pin diameter 0.7mm (0.0276)

Electrical characteristics:

- Winding ratio: 1+1 : 8
- Primary impedance () (secondary loaded with 7360): 150 parallel / 600 series
- DC resistance (+/-15%):
- Primaries: 38 (per winding)
- Secondary: 1085
- Primary inductance,@ 1kHz, 0.1V: 750mH (typ)
- Interwinding capacitance @ 20kHz (core grounded):
- Primary 1 to screens: 44pF
- Primary 2 to screens: 64pF
- Secondary to screens: 109pF
- Primaries to secondary: 12pF (primaries in series)

Proof voltage: windings to screens: 250Vrms
 primaries to secondary: 250Vrms

Operating temperature range: 0 to +70°C.
N.B. Do not pass DC through windings.



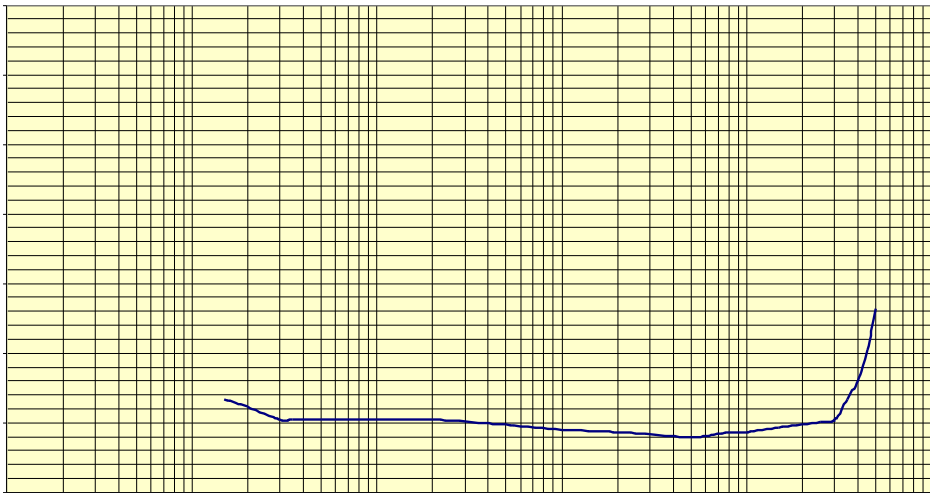
Unit 5, Oxonian Park, Langford Locks,
 Kidlington, Oxfordshire. OX5 1FP
 Tel: (01865) 855085 Fax: (01865) 855075
 Website: www.oep.co.uk

DESCRIPTION	ISSUE	DATE	DRAWN	CHECKED	DRAWING NUMBER
1+1:8 microphone transformer	1	24/01/13	CS		A187A14C
	2	05/11/13	CS		
	3	07/11/13	CS		
	4	20/05/14	CS		

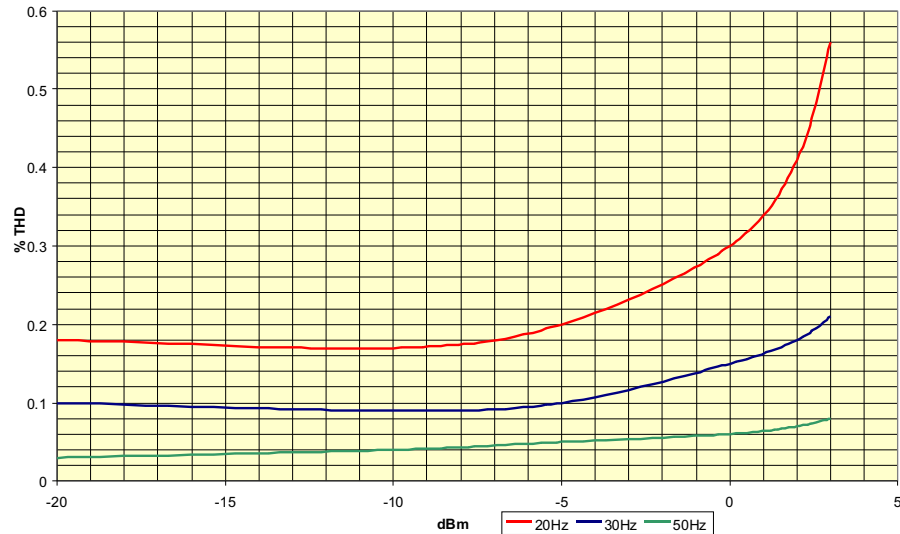
Scale: nts

All dimensions in mm unless stated otherwise

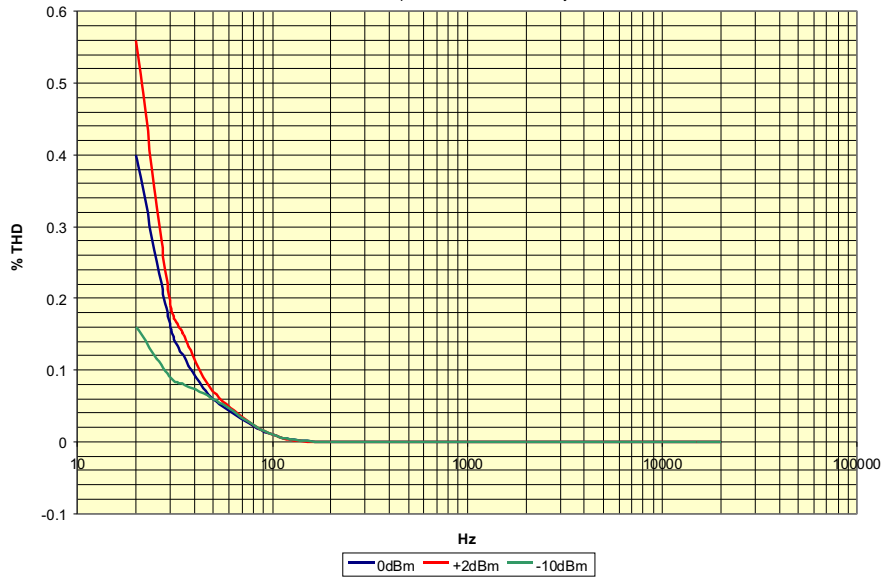
Insertion loss, source impedance 600R, level 0dBm, secondary loaded with 7360R



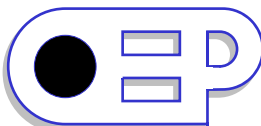
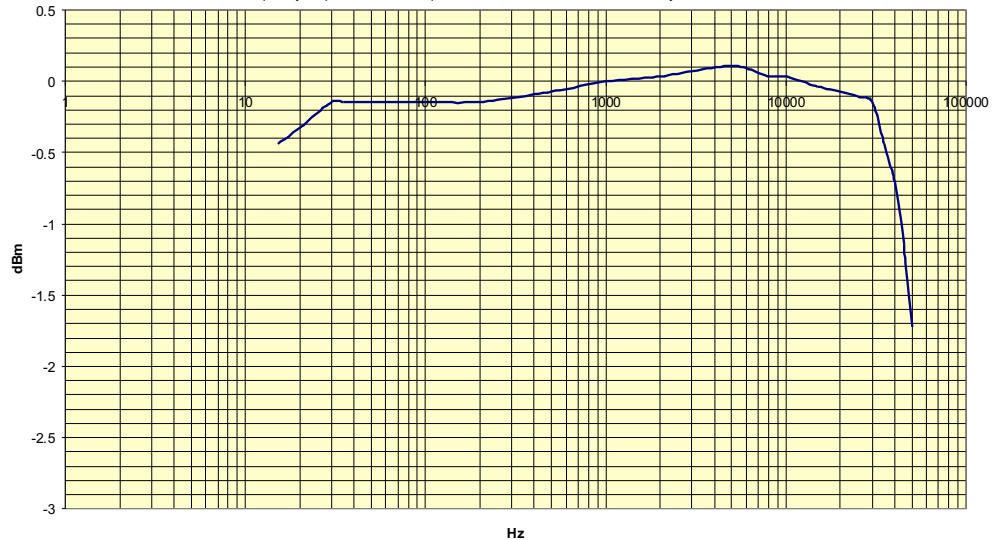
Distortion: source impedance: 600R, secondary loaded with 7360R



Distortion: source impedance: 600R secondary loaded with 7360R



Frequency response, source impedance: 600R, level: 0dBm, secondary loaded with 7360R



Unit 5, Oxonian Park, Langford Locks,
Kidlington, Oxfordshire. OX5 1FP
Tel: (01865) 855085 Fax: (01865) 855075
Website: www.oep.co.uk

DESCRIPTION	ISSUE	DATE	DRAWN	CHECKED	DRAWING NUMBER
1+1:8 microphone transformer	1	24/01/13	CS		A187A14C
	2	05/11/13	CS		
	3	07/11/13	CS		
	4	20/05/14	CS		
Scale: nts	All dimensions in mm unless stated otherwise				